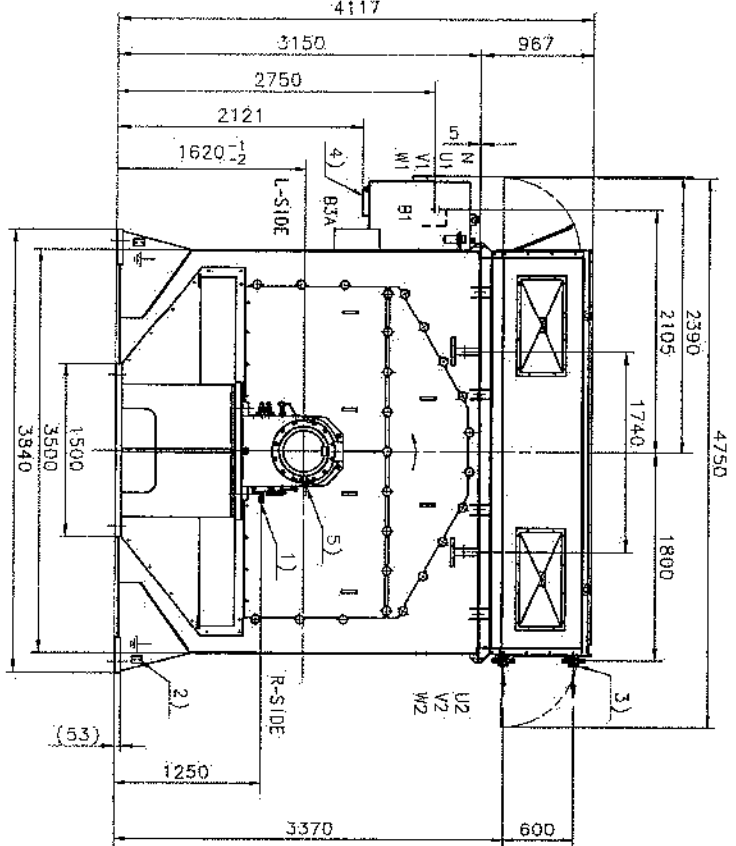
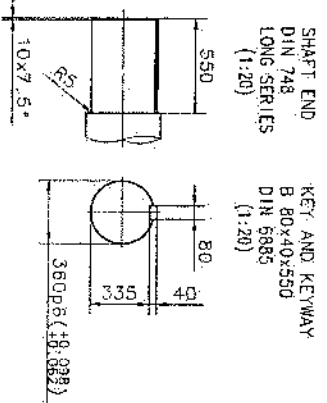


Ø48 FIXING BOLT BORE (14 PCS)
 JACKING SCREWS M26x2 (6 PCS)
 DOWEL PIN PREBORED Ø30 (2 PCS)



- 1) COOLING WATER G1", WATER FLOW 26 dm³/min
- 2) EARTHING POINTS ARE ON BOTH SIDES OF GENERATOR 2XW16 (4 PCS)
- 3) DOUBLE TUBE COOLER FLANGE DN65, PN16, Q1N253, WITH COUNTER FLANGES. COOLING WATER 2x22m²/h PRESSURE DROP <0.5bar
- 4) ROTEX CABLE GLANDS
- 5) ROTOR EARTHING BRUSH

B1 MAIN TERMINAL AND NEUTRAL POINT
 B3A TERMINAL BOX FOR ACCESSORIES
 MAX. AXIAL THRUST 4 kN
 AXIAL PLAY 4,80-5,44 mm
 Oil: ISO VG 46, QUANTITY 53 dm³ PER BEARING

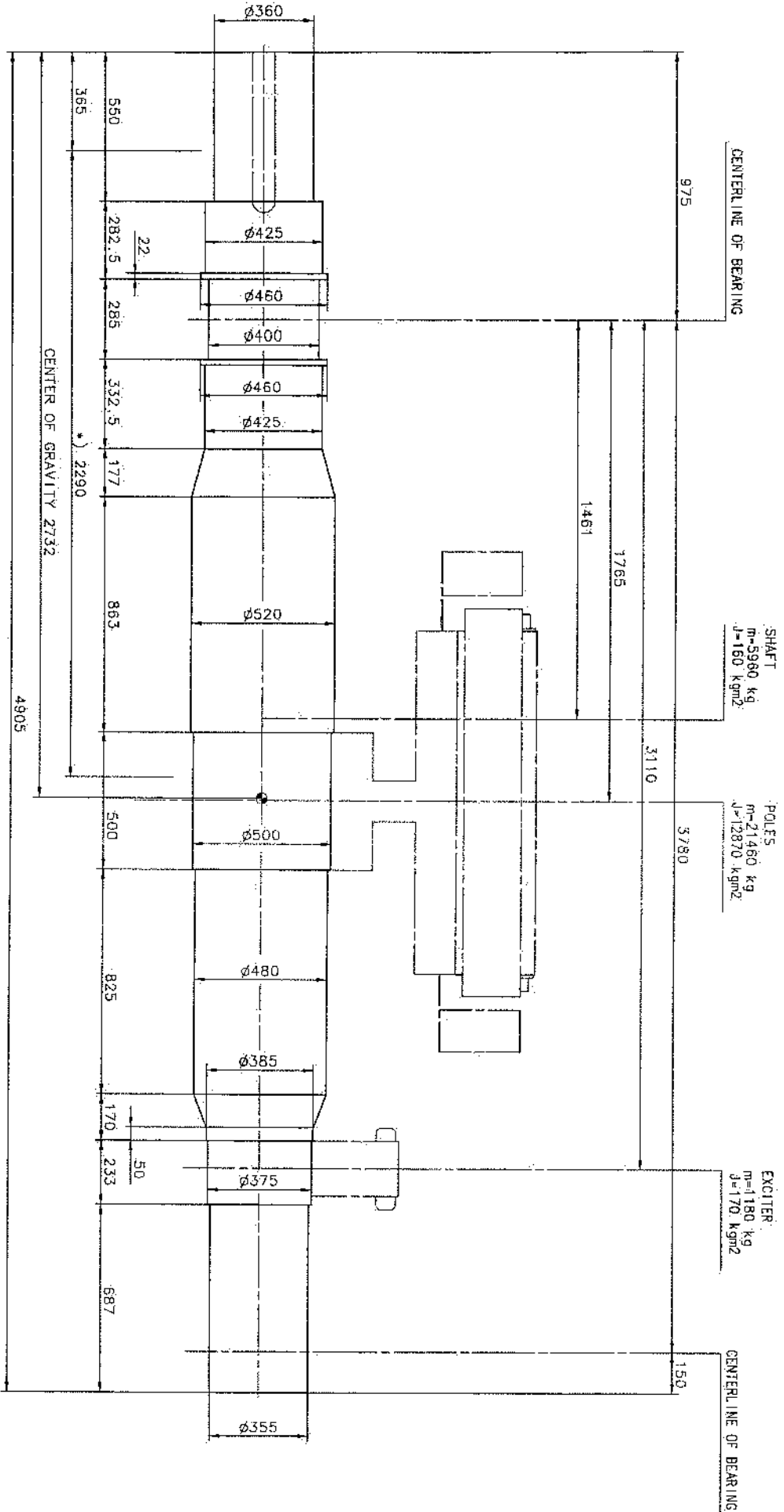
WEIGHTS: ROTOR 28600 kg, BEARING 860 kg/pes, COVER 2800 kg,
 STATOR 29500 kg, ACCESSORY 2000 kg, SOLE PLATE 3700 kg
 TOTAL WEIGHT: 67700 kg

Part	Material	Quantity	Unit	Weight
206-11-06 1. SHAFT	SAE 52100	1	kg	28600
206-11-06 2. BEARING	SAE 52100	2	kg	17200
206-11-06 3. COVER	SAE 52100	1	kg	2800
206-11-06 4. ACCESSORY	SAE 52100	1	kg	2000
206-11-06 5. SOLE PLATE	SAE 52100	1	kg	3700
TOTAL			kg	67700

General tolerances for linear and angular dimensions and geometrical tolerances: ISO 2768 - M
Material standards: EN 10025-3, EN 10025-2

Symbols for roughness according to ISO 1302
ISO 1302

We reserve all rights in this document and in the information contained therein. Reproduction, use or disclosure to third parties without express authorisation is strictly prohibited.
© 2005, ABB Oy, Helsinki, Finland



KOKONAISPAINO KOKONAI SHITAUSSMOMENTTI *)KIERTOJUUKKYYS
 TOTAL WEIGHT TOTAL INERTIA *)TORSIONAL STIFFNESS
 28600 kg 13200 kgm² 131 X 10⁶ Nm/rad

SHAFT MATERIAL: EN 10025-3S355 J2G3-0PT. 22

Product No.	2005-10-12 ELMKA	Special part No.		Title	
Rev.	2005-10-12 J. SUOMINEN	Material No.	AT10/P1	Motor	
Order No.	2005-10-12 I. OHTILA	Project No.		Exciter	
Drawn by	AR	Checked by		Motor	
Approved by	AR	Approved by		Exciter	
Author	AR	Author		Motor	
Checker		Checker		Exciter	
Designer		Designer		Motor	
Project Manager		Project Manager		Exciter	
Customer	ABB Oy, Machines, Helsinki	Customer		Motor	
Order No.	3499 5146778	Order No.		Exciter	
Project No.		Project No.		Motor	
Revision	A 1/1	Revision		Exciter	
Scale	1:1	Scale		Motor	
Material	EN	Material		Exciter	
Weight		Weight		Motor	
Volume		Volume		Exciter	